



AUTO-OUT

817-924-1370

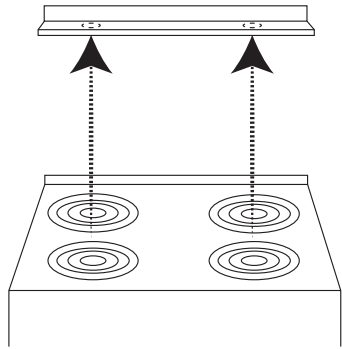
www.Auto-Out.com

Auto-Out® Venthood (Model AOV-T) Installation Instructions

- U.S. Patent No. 9339672, 9,440,101B2, & 9,827,453,B2. Designed and manufactured by Warren Watts Technology in Fort Worth, TX.
- For kitchens with residential over-the-cooktop “flat/mesh” style venthoods. Requires 24” - 32” clearance.
- Units do not require inspection or recharging by a fire service professional. One time use only. Replace if used or expired.
- Each unit must be replaced by the date on the label (product life is six years). By following these steps, you will ensure the fire suppression devices are correctly installed and positioned for effective operation.

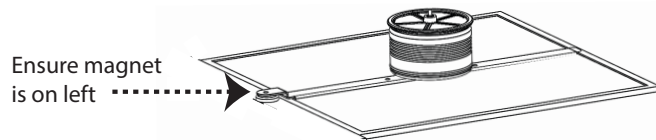
1 Identify Center of Burners & Check Clearance

- Find the center point between the front and back burners on the left side of the cooktop. From this point, measure from the cooktop surface to the bottom of the vent hood. Ensure there is a clearance of 24” to 32”.
- Mark this location on the filter using a sharpie or tape. This will be where the AOV-T bracket is attached in Step 4.
- Repeat these steps for the right side of the cooktop.



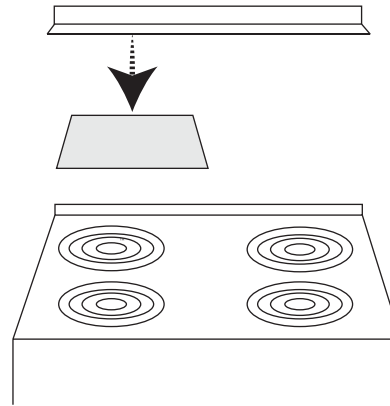
4 Install Left Auto-Out Device

- Position the bracket over the marked spot on the filter. The bracket should be horizontal, with the magnet end on the left side, facing up toward the filter, and the fire suppression device facing away from the filter.
- Insert the flat side of the bracket (opposite the magnet) between the filter mesh and the right side of the metal frame.
- Apply pressure to slide the bracket between the mesh and frame until it fits snugly in the right side of the filter frame.
- Ensure the bracket is aligned with the marked location for accurate positioning.



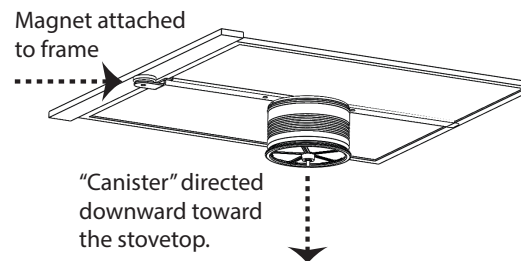
2 Remove Left Filter

- Remove the left filter from the vent hood and place it face up on a flat surface.



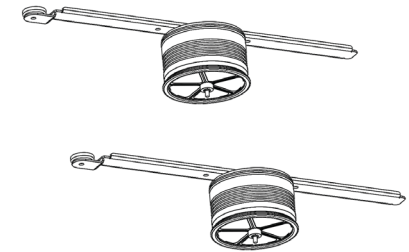
5 Reinstall Left Filter

- Reinsert the left filter into the vent hood.
- Make sure the fire suppression device is centered between the front and back burners and directed downward toward the stovetop. If the bracket is not centered, adjust as needed.
- The magnet end of the bracket should attach to the left outer edge of the filter frame when reinstalled.



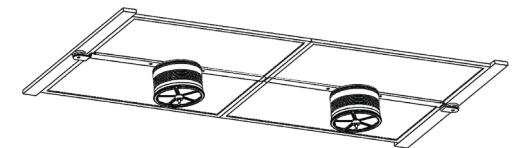
3 Unpack Auto-Out Device

- Unpack the two identical Auto-Out fire suppression devices. One will be used for the left side and the other for the right side.



6 Repeat for Right Side

- Remove the right filter and repeat the steps with the remaining bracket.
- Position the bracket so that the magnet end is on the right side of the filter frame.
- Ensure canisters are centered between the front & back burners.



Auto-Out® products, manufactured by Warren Watts Technology, LLC, require proper installation and use to provide effective cooktop fire suppression. Buyer assumes responsibility for lack of performance or safety if not used according to directions and installation guides provided by manufacturer. If the products are not installed properly, are expired, tampered with or abused in service; the product may not perform properly. Warren Watts Technology does not take any responsibility or liability for damages of any kind, or for warranty claims which are due to improper installation or neglecting to meet the proper conditions of use. Replace if used or damaged. Contact us for our full product warranty and liability statement.